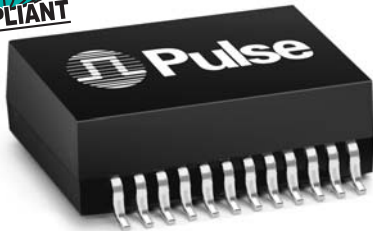


1000BASE-T MAGNETICS MODULES

Designed to Support Gigabit Transceivers



- For RoHS part add the suffix **NL**¹
- Peak solder temperature rating per Table 5-2 in IPC/JEDEC J-STD-020C
- Magnetics, designed for Gigabit PHY used in backplane
- Compliant with IEEE 802.3ab standard

Electrical Specifications @ 25°C — Operating Temperature 0°C to 70°C

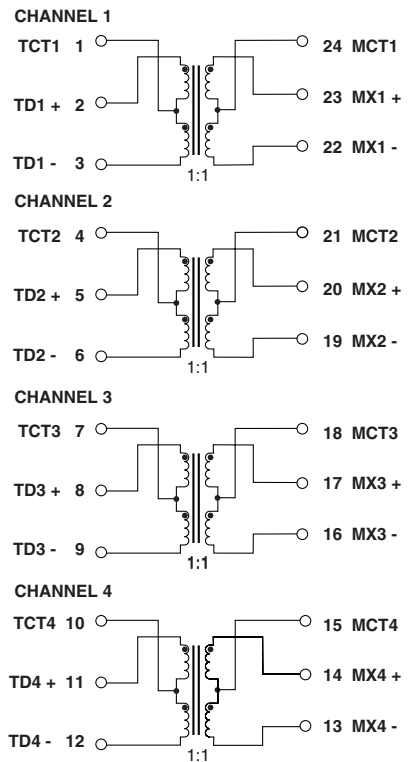
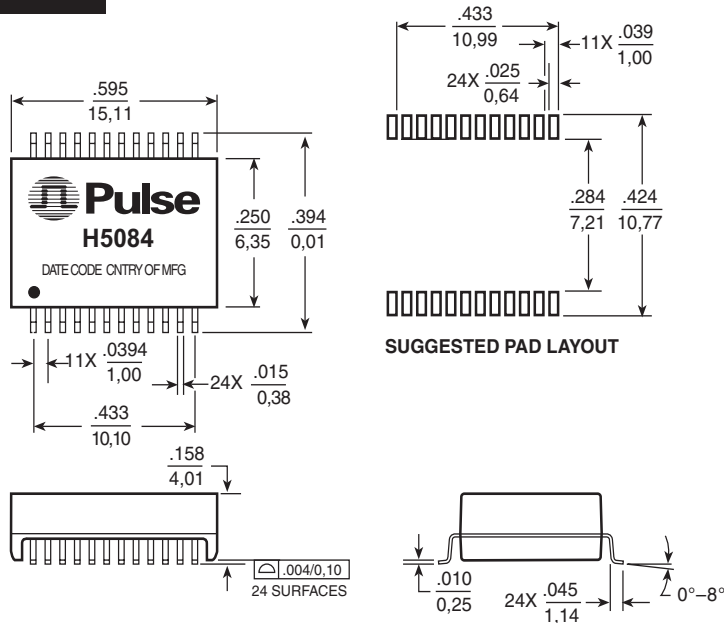
Part Number	Insertion Loss (dB MAX)	Return Loss (dB MIN @ 100Ω)					Differential to Common Mode Rejection (dB MIN)			Crosstalk (dB MIN)			Hipot (Vrms MIN)
		1-100MHz	1-30MHz	40MHz	50MHz	60-80 MHz	100MHz	30MHz	60MHz	100MHz	30MHz	60MHz	
H5084	1.0	-18	-18	-16	-12	-10	-43	-37	-33	-45	-40	-35	1500

1. When ordering RoHS compliant parts, add the suffix **NL**, e.g. H5084 changes to H5084NL.

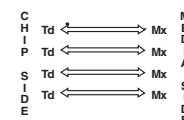
Mechanical

Schematic

H5084



LEGEND



Weight0.6 gram
Tube33

Dimensions: $\frac{\text{Inches}}{\text{mm}}$ Unless otherwise specified, all tolerances are $\pm \frac{.010}{0,25}$

1000BASE-T MAGNETICS MODULES

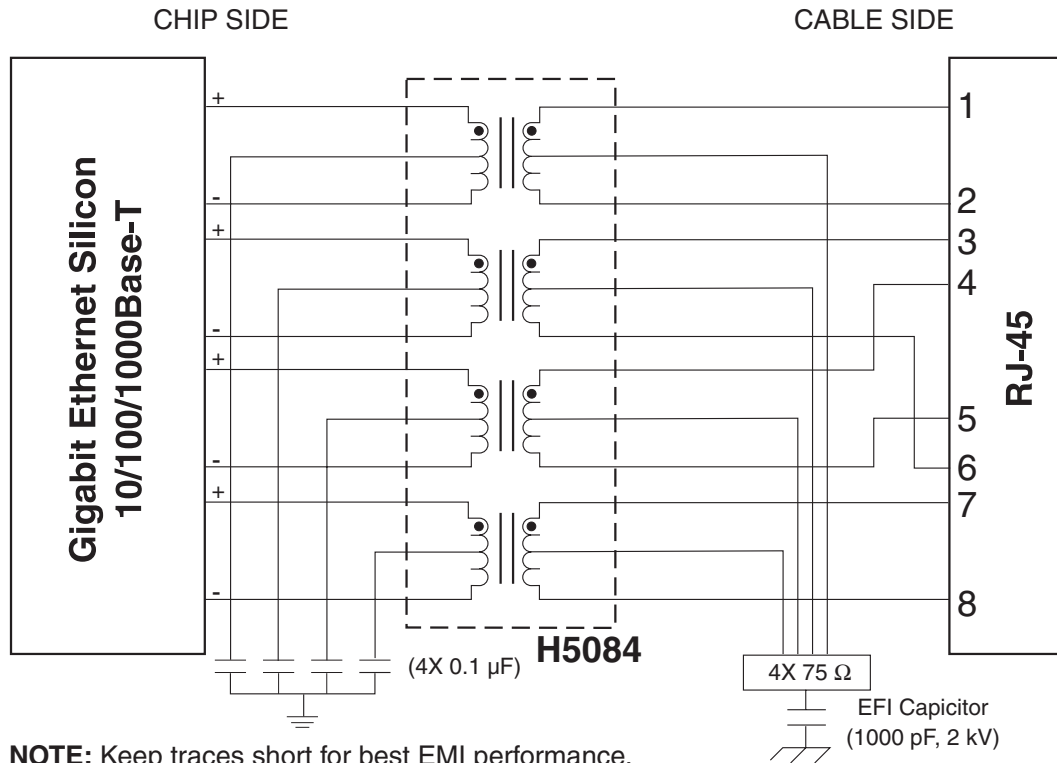
Designed to Support Gigabit Transceivers



Application Circuit

H5084

Gigabit Circuit



NOTE: Keep traces short for best EMI performance.

The above circuit is a simple interface for a gigabit transformer connection to both the Gigabit Ethernet silicon and the RJ-45 connector. It is highly recommended that the cable side Center Taps of each transformer be terminated to 75 Ω resistors and that the four center taps be terminated to an EFI capacitor prior to ground termination.

For More Information:

Pulse Worldwide Headquarters

12220 World Trade Drive
San Diego, CA 92128
U.S.A.
www.pulseeng.com
TEL: 858 674 8100
FAX: 858 674 8262

Pulse Northern Europe

3 Huxley Road
Surrey Research Park
Guildford, Surrey GU2 5RE
United Kingdom
TEL: 44 1483 401700
FAX: 44 1483 401701

Pulse Southern Europe

Zone Industrielle
F-39270
Orgelet
France
TEL: 33 3 84 35 04 04
FAX: 33 3 84 25 46 41

Pulse China Headquarters

No. 1
Industrial District
Changan, Dongguan
China
TEL: 86 769 5538070
FAX: 86 769 5538870

Pulse North China

Room 1002
No. 819
Nanjing West Rd
Shanghai
China
TEL: 86 21 32181071
FAX: 86 21 32181396

Pulse South Asia

150 Kampong Ampat
#07-01/02
KA Centre
Singapore 368324
TEL: 65 6287 8998
FAX: 65 6280 0080

Pulse North Asia

3F-4, No. 81, Sec. 1
Hsin Tai Wu Road
Hsi-Chih
Taipei Hsien
Taiwan
TEL: 886 2 26980228
FAX: 886 2 26980948

Performance warranty of products offered on this data sheet is limited to the parameters specified. Data is subject to change without notice. Other brand and product names mentioned herein may be trademarks or registered trademarks of their respective owners.

© Copyright, 2006. Pulse Engineering, Inc. All rights reserved.

www.pulseeng.com